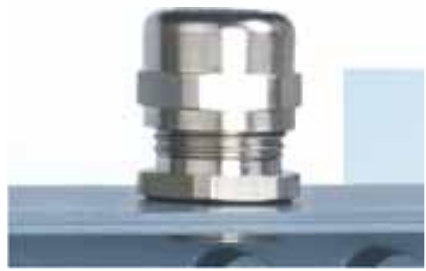


CABLE GLANDS

WITH WIDE CLAMPING RANGE



SIMPLY SOLUTIONS



CABLE GLANDS

WITH WIDE CLAMPING RANGE



Cable Glands is a device to permit the firm and secure termination of cable to provide sealing, retention and earthing , bonding, grounding, insulation, strain relief or combination of all these. They are used throughout a number of industries in conjunction with cable and wiring used in electrical instrumentation and automation systems.

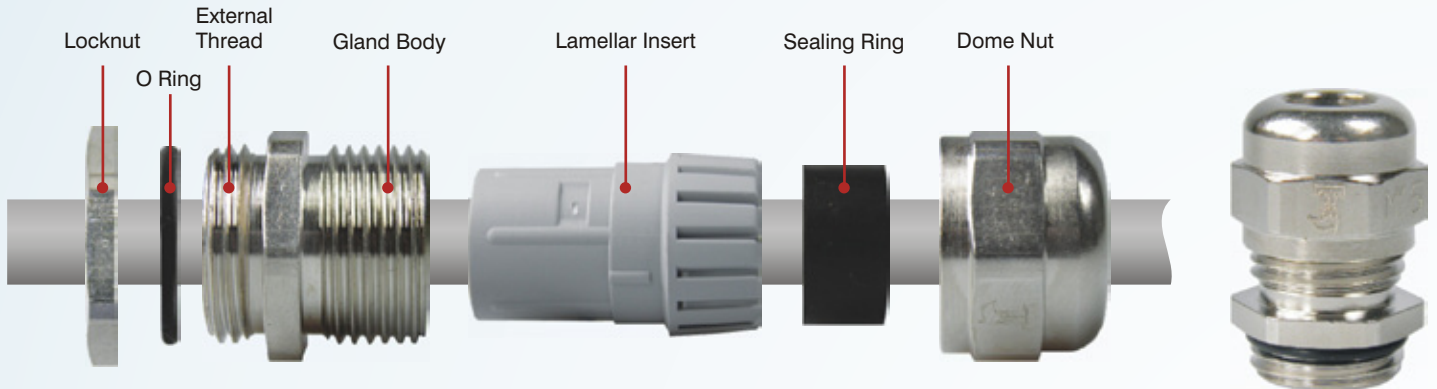
Main usage are machine building, plant construction, conveyor technique, apparatus engineering, power engineering, vehicle construction, railed vehicles, shipbuilding, aero planes, military engineering, electric motors, generators, frequency converters, drive technology, gear units, pumps, ventilators, electric and electronic components, products and devices, junction boxes, industrial enclosures, electric installations and controls, building automation, industrial automation, automation technology, lamps, luminaries, lighting technology.



CONTENTS

	Reference Sheet	2-3
	Cable Glands - Nickel Plated Brass	2
	Cable Glands - Polyamide	3
	Cable Glands & Accessories - Nickel Plated Brass	6-14
	Cable Glands - Nickel Plated Brass	6-9
	Cable Glands - Metric Thread	6
	Cable Glands - Pg Thread	7
	Cable Glands - EMC	8
	Cable Glands - Combination Type	9
	Hexagonal Locknuts	10-11
	Hexagonal Locknuts - Normal (Metric & Pg)	10
	Hexagonal Locknuts - EMC (Metric)	11
	Accessories	12-14
	Screw Plug	12
	Enlarger	13
	Reducer	14
	Cable Glands & Accessories - Polyamide	18-25
	Cable Glands - Polyamide	18-21
	Cable Glands - Silver Grey Color (RAL 7001)	18
	Cable Glands - Light Grey Color (RAL 7035)	19
	Cable Glands - Black Color (RAL 9005)	20
	Cable Glands - Combination Type	21
	Hexagonal Locknuts	22
Hexagonal Locknuts - Normal (Metric & Pg)	22	
	Accessories	23-25
	Screw Plug	23
	Enlarger	24
	Reducer	25
	Universal Accessories	26-27
	Sealing Grommet	26
	Blanking Plug	26
	Dust Cap	27
	Multiple Inserts	27

Cable Glands - Nickel Plated Brass

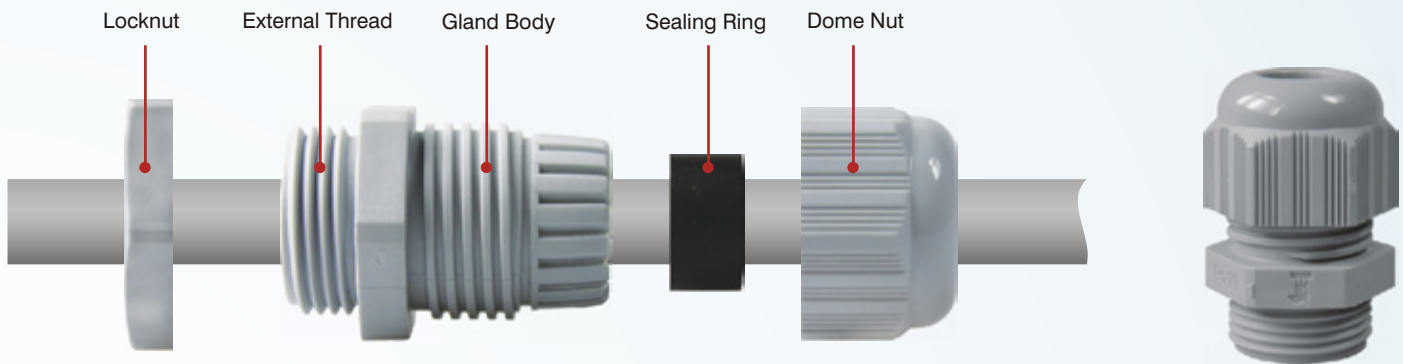


Brass Cable Glands Dimensions

External Thread		Clamping Range	External Thread	Standard Thread		Long Thread		Packet Size
Size		ØC	Nominal Diameter	Entry Thread Length	Height	Entry Thread Length	Height	(Pcs.)
Metric	Pg	(mm)	(mm)	(mm)	(mm)	(mm)	(mm)	
M 12		3 - 6	12.0	5	25	10	30	100
	Pg 7	3 - 6.5	12.5	5	24	15	24	100
	Pg 9	4 - 8	15.2	6	29	15	29	100
M 16		5 - 9	16.0	5	30	10	35	100
	Pg 11	5 - 10	18.6	6	29.5	15	29.5	50
M 20		9 - 13	20.0	6	33.5	10	37.5	50
	Pg 13.5	6 - 12	20.4	6.5	31.5	15	31.5	50
	Pg 16	10 - 14	22.5	6.5	31.5	15	31.5	50
M 25		11 - 16	25.0	7	36.5	11	40.5	50
	Pg 21	13 - 18	28.3	7	34	15	34	50
M 32		14 - 21	32.0	8	38	13	43	25
	Pg 29	18 - 25	37.0	8	39	15	39	25
M 40		19 - 27	40.0	8	41	13	46	10
	Pg 36	24 - 32	47.0	10	44	-	-	10
M 50		24 - 35	50.0	9	49.5	14	54.5	5
	Pg 42	30 - 48	54.0	12	48	-	-	5
	Pg 48	34 - 44	59.3	14	51.5	-	-	5
M 63		32 - 42	63.0	10	52.5	14	56.5	5



Cable Glands - Polyamide






Polyamide Cable Glands Dimensions

External Thread		Clamping Range	External Thread	Entry Thread Length	Height	Packet Size
Size		ØC	Nominal Diameter	(mm)	(mm)	(Pcs.)
Metric	Pg	(mm)	(mm)			
M 12		3 - 6	12.0	8	31	100
	Pg 7	3 - 6.5	12.5	8	31	100
	Pg 9	4 - 8	15.2	8	34	100
M 16		5 - 10	16.0	8	35	100
	Pg 11	5 - 10	18.6	8	37	100
M 20		8 - 13	20.0	8	37	100
	Pg 13.5	6 - 12	20.4	9	39	100
	Pg 16	10 - 14	22.5	10	42	50
M 25		11 - 17	25.0	10	44	50
	Pg 21	13 - 18	28.3	15	50	50
M 32		15 - 21	32.0	15	55	50
	Pg 29	18 - 25	37.0	15	56	25
M 40		19 - 28	40.0	15	58	25
	Pg 36	22 - 32	47.0	15	65	10
M 50		27 - 35	50.0	18	67	10
	Pg 42	30 - 38	54.0	18	70	5
	Pg 48	34 - 44	59.3	18	71	5
M 63		32 - 42	63.0	18	71	5



Available in :

-  RAL 7001
-  RAL 7035
-  RAL 9005

Cable Glands & Accessories - Nickel Plated Brass



Key Features

- Complete range of sizes.
- Wide sealing and clamping range.
- Easy to install.
- Integrated anchorage.
- Metric and Pg thread available.

Application Area

- Wind Energy
- Solar Energy
- Machine Manufacturers
- Panel Manufacturers
- Telecommunication
- Automobiles
- Transportation





Cable Glands & Accessories - Nickel Plated Brass

6-14

Cable Glands - Nickel Plated Brass

6-9

Cable Glands - Metric Thread

6

Cable Glands - Pg Thread

7

Cable Glands - EMC

8

Cable Glands - Combination Type

9



Hexagonal Locknuts

10-11

Hexagonal Locknuts - Normal (Metric & Pg)

10

Hexagonal Locknuts - EMC (Metric)

11



Accessories

12-14

Screw Plug

12

Enlarger

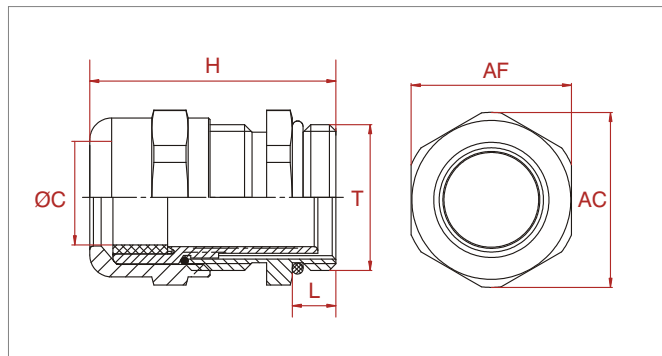
13

Reducer

14

CABLE GLANDS - METRIC THREAD

BRASS



Properties

Dome Nut	Nickel Plated Brass
Gland Body	Nickel Plated Brass
Sealing Ring	Nitrile Rubber NBR
Flat / O Ring	Nitrile Rubber NBR
Temperature Range	-20°C / +100°C

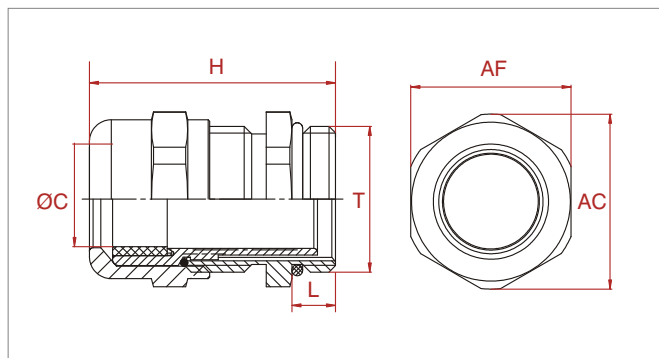
Technical Data

Connecting Thread	Metric as per EN 60423
Protection Grade	IP 68
Test Standard	UL 514B
Pitch	1.5 mm
UL File No.	E466603
Approvals	

Cable Glands - Standard Thread						Hexagonal Dimensions		
Article No.	External Thread		Clamping Range	Entry Thread Length	Height	Packet Size	Across Flats	Across Corners
	T		ØC (mm)	L (mm)	H (mm)	(Pcs.)	AF (mm)	AC (mm)
01 17 11001	M	12	3 - 6	5	25	100	14	15.5
01 17 11002	M	16	5 - 9	5	30	100	18	20
01 17 11003	M	20	9 - 13	6	33.5	50	22	24
01 17 11004	M	25	11 - 16	7	36.5	50	27	30
01 17 11005	M	32	14 - 21	8	38	25	34	36
01 17 11006	M	40	19 - 27	8	41	10	43	46
01 17 11007	M	50	24 - 35	9	49.5	5	55	60
01 17 11008	M	63	32 - 42	10	52.5	5	65	70

Cable Glands - Long Thread						Hexagonal Dimensions		
Article No.	External Thread		Clamping Range	Entry Thread Length	Height	Packet Size	Across Flats	Across Corners
	T		ØC (mm)	L (mm)	H (mm)	(Pcs.)	AF (mm)	AC (mm)
01 17 11009	M	12	3 - 6	10	30	100	14	15.5
01 17 11010	M	16	5 - 9	10	35	100	18	20
01 17 11011	M	20	9 - 13	10	37.5	50	22	24
01 17 11012	M	25	11 - 16	11	40.5	50	27	30
01 17 11013	M	32	14 - 21	13	43	25	34	36
01 17 11014	M	40	19 - 27	13	46	10	43	47.5
01 17 11015	M	50	24 - 35	14	54.5	5	55	60
01 17 11016	M	63	32 - 42	14	56.5	5	65	70

CABLE GLANDS - Pg THREAD



Properties

Dome Nut	Nickel Plated Brass
Gland Body	Nickel Plated Brass
Sealing Ring	Nitrile Rubber NBR
Flat / O Ring	Nitrile Rubber NBR
Temperature Range	-20°C / +100°C

Technical Data

Connecting Thread	Pg as per DIN 40430
Protection Grade	IP 68
Test Standard	UL 514B
UL File No.	

Approvals



BRASS

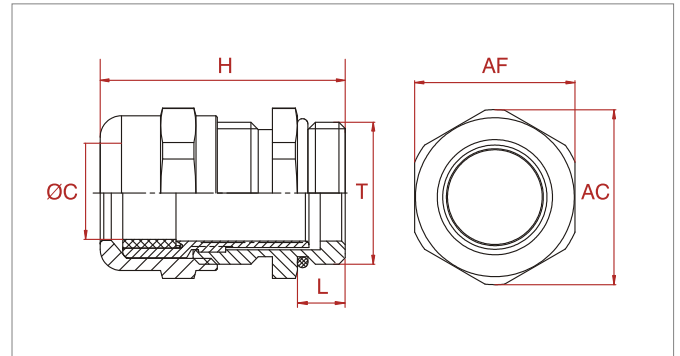
Cable Glands - Standard Thread						Hexagonal Dimensions	
Article No.	External Thread	Clamping Range	Entry Thread Length	Height	Packet Size	Across Flats	Across Corners
	T	ØC (mm)	L (mm)	H (mm)	(Pcs.)	AF (mm)	AC (mm)
01 17 11119	Pg 7	3 - 6.5	5	24	100	14	15.5
01 17 11087	Pg 9	4 - 8	6	29	100	17	19
01 17 11088	Pg 11	5 - 10	6	29.5	50	20	22
01 17 11089	Pg 13.5	6 - 12	6.5	31.5	50	22	24.3
01 17 11090	Pg 16	10 - 14	6.5	31.5	50	24	26.5
01 17 11091	Pg 21	13 - 18	7	34	50	30	33.4
01 17 11092	Pg 29	18 - 25	8	39	25	40	43.4
01 17 11093	Pg 36	24 - 32	10	44	10	50	50
01 17 11120	Pg 42	30 - 38	12	48	5	57	57
01 17 11121	Pg 48	34 - 44	14	51.5	5	64	64

Cable Glands - Long Thread						Hexagonal Dimensions	
Article No.	External Thread	Clamping Range	Entry Thread Length	Height	Packet Size	Across Flats	Across Corners
	T	ØC (mm)	L (mm)	H (mm)	(Pcs.)	AF (mm)	AC (mm)
01 17 11122	Pg 7	3 - 6.5	15	24	100	14	15.5
01 17 11123	Pg 9	4 - 8	15	29	100	17	19
01 17 11124	Pg 11	5 - 10	15	29.5	50	20	22
01 17 11125	Pg 13.5	6 - 12	15	31.5	50	22	24.3
01 17 11126	Pg 16	10 - 14	15	31.5	50	24	26.5
01 17 11127	Pg 21	13 - 18	15	34	50	30	33.4
01 17 11128	Pg 29	18 - 25	15	39	25	40	43.4

CABLE GLANDS - EMC

(With Electromagnetic Compatibility for Shielded Cables)

BRASS



Properties

Dome Nut	Nickel Plated Brass
Gland Body	Nickel Plated Brass
Sealing Ring	Nitrile Rubber NBR
Flat / O Ring	Nitrile Rubber NBR
Temperature Range	-20°C / +100°C

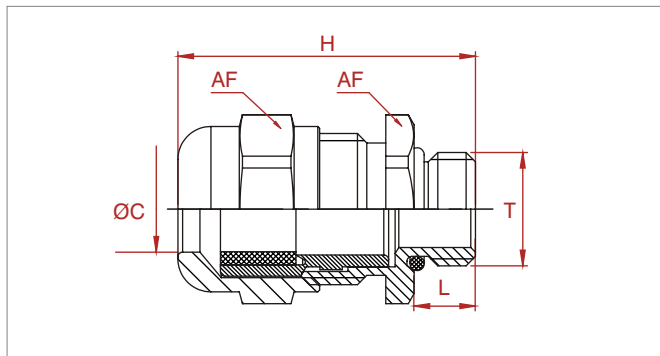
Technical Data

Connecting Thread	Metric as per EN 60423
Protection Grade	IP 68
Test Standard	UL 514B
Pitch	1.5 mm
UL File No.	E466603
Approvals	

Cable Glands - Standard Thread						Hexagonal Dimensions		
Article No.	External Thread		Clamping Range	Entry Thread Length	Height	Packet Size	Across Flats	Across Corners
	T		ØC (mm)	L (mm)	H (mm)	(Pcs.)	AF (mm)	AC (mm)
01 17 11017	M 12		3 - 6	5	25	100	14	15.5
01 17 11018	M 16		5 - 9	5	30	100	18	20
01 17 11019	M 20		9 - 13	6	33.5	50	22	24
01 17 11020	M 25		11 - 16	7	36.5	50	27	30
01 17 11021	M 32		14 - 21	8	38	25	34	36
01 17 11022	M 40		19 - 27	8	41	10	43	47.5
01 17 11023	M 50		24 - 35	9	49.5	5	55	60
01 17 11024	M 63		32 - 42	10	52.5	5	65	70

Cable Glands - Long Thread						Hexagonal Dimensions		
Article No.	External Thread		Clamping Range	Entry Thread Length	Height	Packet Size	Across Flats	Across Corners
	T		ØC (mm)	L (mm)	H (mm)	(Pcs.)	AF (mm)	AC (mm)
01 17 11025	M 12		3 - 6	10	30	100	14	15.5
01 17 11026	M 16		5 - 9	10	35	100	18	20
01 17 11027	M 20		9 - 13	10	37.5	50	22	24
01 17 11028	M 25		11 - 16	11	40.5	50	27	30
01 17 11029	M 32		14 - 21	13	43	25	34	36
01 17 11030	M 40		19 - 27	13	46	10	43	47.5
01 17 11031	M 50		24 - 35	14	54.5	5	55	60
01 17 11032	M 63		32 - 42	14	56.5	5	65	70

CABLE GLANDS - COMBINATION TYPE



Properties

Dome Nut	Nickel Plated Brass
Gland Body	Nickel Plated Brass
Sealing Ring	Nitrile Rubber NBR
Flat / O Ring	Nitrile Rubber NBR
Temperature Range	-20°C / +100°C

Technical Data

Connecting Thread	Pg to Metric & Metric to Metric
Protection Grade	IP 68
Test Standard	UL 514B
UL File No.	E466603

Approvals



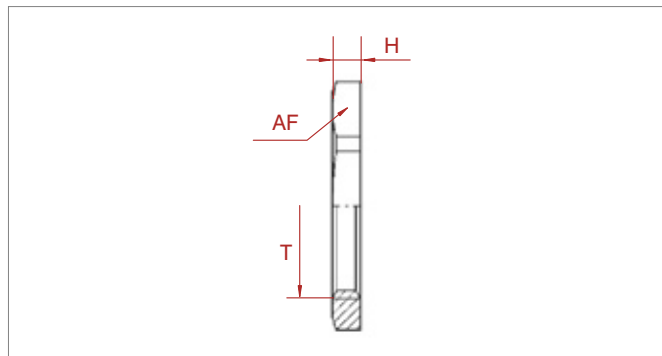
BRASS

Cable Glands - Combination Type						Hexagonal Dimensions
Article No.	External Thread / Entry Thread	Clamping Range	Entry Thread Length	Height	Packet Size	Across Flat
	T	ØC (mm)	L (mm)	H (mm)	(Pcs.)	AF (mm)
01 17 11117 *	Pg 11 / M 16	5 - 10	6	29	100	20
01 17 11110	M 12 / M 16	5 - 8	6.5	31.5	100	18
01 17 11111	M 16 / M 20	9 - 12	5	32.5	50	22
01 17 11112	M 20 / M 25	11 - 16	6	35.5	50	27
01 17 11113	M 25 / M 32	14 - 21	7	37	25	34
01 17 11114	M 32 / M 40	19 - 27	8	41	10	43

HEXAGONAL LOCKNUTS

HEXAGONAL LOCKNUTS - NORMAL (METRIC & Pg)

BRASS



Properties

Dome Nut	Nickel Plated Brass
Temperature Range	Up to 100°C
Thread	Metric and Pg

Hexagonal Locknuts - Metric Thread

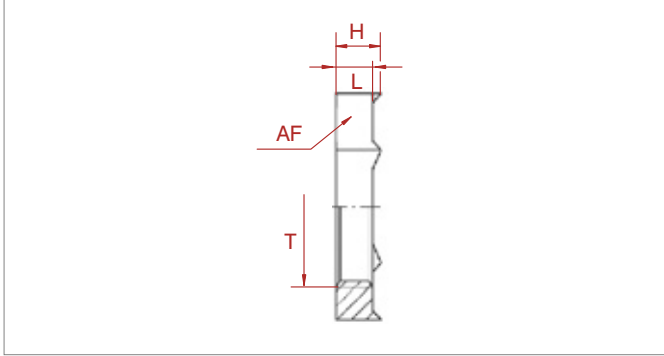
Article No.	External Thread	Across Flats	Height	Packet Size
	T	AF (mm)	H (mm)	(Pcs.)
01 17 11094	M 12	15	2.8	100
01 17 11095	M 16	19	2.8	100
01 17 11096	M 20	24	3	50
01 17 11097	M 25	30	3.5	50
01 17 11098	M 32	36	4	25
01 17 11099	M 40	46	5	10
01 17 11100	M 50	60	5	5
01 17 11101	M 63	70	6	5

Hexagonal Locknuts - Pg Thread

Article No.	External Thread	Across Flats	Height	Packet Size
	T	AF (mm)	H (mm)	(Pcs.)
01 09 00467	Pg 7	15	2.8	100
01 17 11102	Pg 9	18	2.8	100
01 17 11103	Pg 11	21	3	50
01 17 11104	Pg 13.5	23	3	50
01 17 11105	Pg 16	26	3	50
01 17 11106	Pg 21	32	3.5	50
01 17 11107	Pg 29	41	4	25
01 17 11108	Pg 36	51	5	10
01 09 01049	Pg 42	65	5	5
01 09 00475	Pg 48	69	5.5	5

HEXAGONAL LOCKNUTS

HEXAGONAL LOCKNUTS - EMC (METRIC)



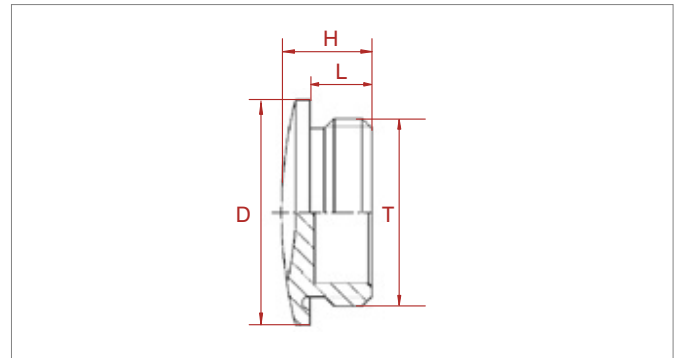
BRASS

Properties

Dome Nut Nickel Plated Brass
 Temperature Range Up to 100°C
 Thread Metric

Hexagonal Locknuts - Metric Thread					
Article No.	External Thread	Thread Length	Across Flats	Height	Packet Size
	T	L (mm)	AF (mm)	H (mm)	(Pcs.)
01 09 00534	M 12	4.5	15	5.5	100
01 09 01050	M 16	4.5	19	5.5	100
01 09 00553	M 20	4.5	24	5.5	50
01 09 00554	M 25	4.5	30	5.5	50
01 09 00555	M 32	4.5	36	5.5	25
01 09 00556	M 40	5	46	6	10
01 09 00904	M 50	5	60	6	5
01 09 00035	M 63	6	70	7	5

SCREW PLUG



Properties

Screw Plug	Nickel Plated Brass
Protection Grade	IP 54
Temperature Range	up to +200°C

Technical Data

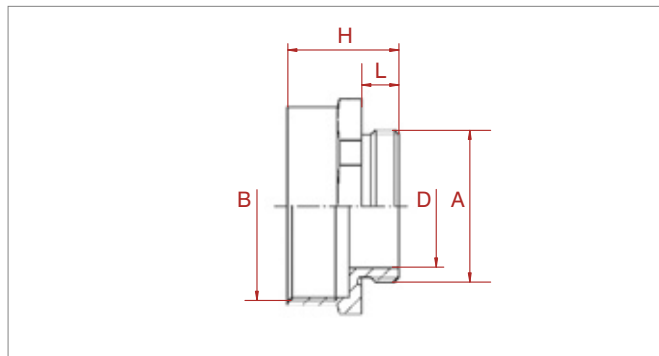
Available with O Ring for increased protection grade.

For secure sealing of unused threaded or clearance holes.

Screw Plug - Metric Thread					
Article No.	External Thread	Entry Thread Length	Height	Diameter	Packet Size
	T	L (mm)	H (mm)	D (mm)	(Pcs.)
01 09 00036	M 12	5	8	16	100
01 09 00037	M 16	6	9	20	100
01 09 00038	M 20	6.5	9.5	24	100
01 09 00039	M 25	7	11	28	100
01 09 01081	M 32	8	12	35	50
01 09 00110	M 40	8	12	45	50
01 09 00111	M 50	9	15	55	25
01 09 00040	M 63	10	16	68	25

Screw Plug - Pg Thread					
Article No.	External Thread	Entry Thread Length	Height	Diameter	Packet Size
	T	L (mm)	H (mm)	D (mm)	(Pcs.)
01 09 01082	Pg 7	5	8	14	100
01 09 00995	Pg 9	6	9	17	100
01 09 00931	Pg 11	6	9	20	100
01 09 00932	Pg 13.5	6.5	9.5	22	100
01 09 00116	Pg 16	6.5	9.5	24	100
01 09 00117	Pg 21	7	11	30	100
01 09 00934	Pg 29	8	12	39	50
01 09 01084	Pg 36	9	15	50	50
01 09 01085	Pg 42	10	16	57	25
01 09 01086	Pg 48	10	16	64	25

ENLARGER



Properties

Enlarger Nickel Plated Brass
 Temperature Range Up to +200°C

Technical Data

Enlarger of threaded or clearance holes to larger thread sizes.

BRASS

Enlarger - Metric Thread

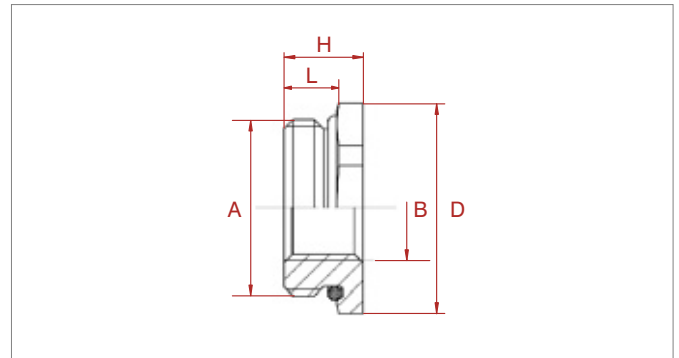
Article No.	External Thread	Size	Size	Length	Height	Diameter	Packet Size (Pcs.)
	T	A	B	L (mm)	H (mm)	D (mm)	
01 09 00292	M 12/16	M 12	M 16	5	16	8	100
01 09 00144	M 16/20	M 16	M 20	5	16.5	12	100
01 09 00145	M 20/25	M 20	M 25	6	18.5	15	100
01 09 00146	M 25/32	M 25	M 32	7	20.5	21	100
01 09 00147	M 32/40	M 32	M 40	8	23.5	36	50
01 09 00148	M 40/50	M 40	M 50	8	30	34	50
01 09 00149	M 50/63	M 50	M 63	9	32.5	44	25

Enlarger - Pg Thread

Article No.	External Thread	Size	Size	Length	Height	Diameter	Packet Size (Pcs.)
	T	A	B	L (mm)	H (mm)	D (mm)	
01 09 00150	Pg 7 / 9	Pg 7	Pg 9	5	15	10	100
01 09 01098	Pg 9 / 11	Pg 9	Pg 11	6	16.5	12	100
01 09 00151	Pg 9 / 13	Pg 9	Pg 13.5	6	17.5	12	100
01 09 01146	Pg 11/13	Pg 11	Pg 13.5	6	17.5	15	100
01 09 01147	Pg 11/16	Pg 11	Pg 16	6.5	19	15	100
01 09 00152	Pg 11/21	Pg 11	Pg 21	6.5	21	15	100
01 09 00153	Pg 13/16	Pg 13.5	Pg 16	6.5	19	17	100
01 09 00154	Pg 13/21	Pg 13.5	Pg 21	6.5	21	17	100
01 09 00053	Pg 16/21	Pg 16	Pg 21	6.5	21	18.5	100
01 09 00155	Pg 16/29	Pg 16	Pg 29	6.5	22.5	18.5	50
01 09 00054	Pg 21/29	Pg 21	Pg 29	7	23	24	50
01 09 00156	Pg 29/36	Pg 29	Pg 36	8	27.5	32	50
01 09 00157	Pg 36/42	Pg 36	Pg 42	9	31	42	25
01 09 00293	Pg 42/48	Pg 42	Pg 48	10	33	48	25

REDUCER

BRASS



Properties

Dome Nut
Temperature Range
Nickel Plated Brass
up to +200°C

Technical Data

Reduction of threaded or clearance holes to smaller thread sizes.

Reducer - Metric Thread

Article No.	External Thread	Size	Size	Length	Height	Diameter	Packet Size (Pcs.)
	T	A	B	L (mm)	H (mm)	D (mm)	
01 09 00122	M 16/12	M 16	M 12	6	8.5	20	100
01 09 00123	M 20/12	M 20	M 12	6.5	9	24	100
01 09 00124	M 20/16	M 20	M 16	6.5	9	24	100
01 09 00125	M 25/16	M 25	M 16	7	10	30	100
01 09 00126	M 25/20	M 25	M 20	7	10	30	100
01 09 01137	M 32/20	M 32	M 20	8	11.5	39	100
01 09 00128	M 32/25	M 32	M 25	8	11.5	39	100
01 09 00129	M 40/25	M 40	M 25	9	12.5	50	50
01 09 00130	M 40/32	M 40	M 32	9	12.5	50	50
01 09 00131	M 50/32	M 50	M 32	10	14	57	25
01 09 00132	M 50/40	M 50	M 40	10	14	57	25
01 09 00133	M 63/40	M 63	M 40	10	14	70	10
01 09 00291	M 63/50	M 63	M 50	10	14	70	10

Reducer - Pg Thread

Article No.	External Thread	Size	Size	Length	Height	Diameter	Packet Size (Pcs.)
	T	A	B	L (mm)	H (mm)	D (mm)	
01 09 01004	Pg 9 / 7	Pg 9	Pg 7	6	8.5	17	100
01 09 01005	Pg 11 / 7	Pg 11	Pg 7	6	8.5	20	100
01 09 01006	Pg 11 / 9	Pg 11	Pg 9	6	8.5	20	100
01 09 01007	Pg 13 / 9	Pg 13.5	Pg 9	6.5	9	22	100
01 09 00996	Pg 13 / 11	Pg 13.5	Pg 11	6.5	9	22	100
01 09 00135	Pg 16 / 9	Pg 16	Pg 9	6.5	9.5	24	100
01 09 00136	Pg 16 / 11	Pg 16	Pg 11	6.5	9.5	24	100
01 09 01008	Pg 16 / 13	Pg 16	Pg 13.5	6.5	9.5	24	100
01 09 01010	Pg 21 / 11	Pg 21	Pg 11	7	10	30	100
01 09 01009	Pg 21 / 13	Pg 21	Pg 13.5	7	10	30	100
01 09 00999	Pg 21 / 16	Pg 21	Pg 16	7	10	30	100
01 09 00137	Pg 29 / 16	Pg 29	Pg 16	8	11.5	39	50
01 09 00998	Pg 29 / 21	Pg 29	Pg 21	8	11.5	39	50
01 09 00139	Pg 36 / 21	Pg 36	Pg 21	9	12.5	50	50
01 09 00140	Pg 36 / 29	Pg 36	Pg 29	9	12.5	50	50
01 09 00141	Pg 42 / 36	Pg 42	Pg 36	10	14	57	25
01 09 00142	Pg 48 / 36	Pg 48	Pg 36	10	14	64	25

Cable Glands & Accessories - Polyamide



Key Features

- Complete range of sizes.
- Wide sealing and clamping range.
- Easy to install.
- Integrated anchorage.
- Metric and Pg thread available.
- Silver Grey, Light Grey and Black color.

Application Area

- Wind Energy
- Solar Energy
- Machine Manufacturers
- Panel Manufacturers
- Telecommunication
- Automobiles
- Transportation





Cable Glands & Accessories - Polyamide

18-25

Cable Glands - Polyamide

18-21

Cable Glands - Silver Grey Color (RAL 7001)

18

Cable Glands - Light Grey Color (RAL 7035)

19

Cable Glands - Black Color (RAL 9005)

20

Cable Glands - Combination Type

21

Hexagonal Locknuts

22

Hexagonal Locknuts - Normal (Metric & Pg)

22

Accessories

23-25

Screw Plug

23

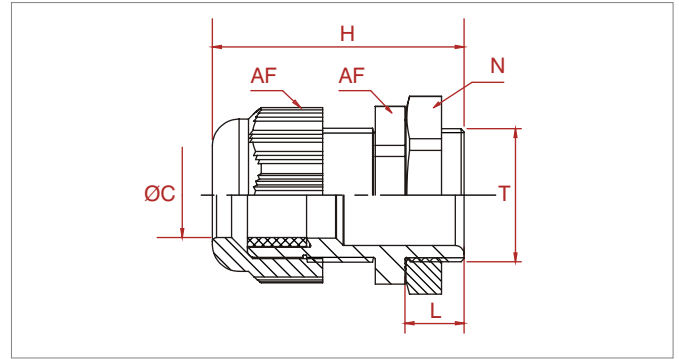
Enlarger

24

Reducer

25

CABLE GLANDS - SILVER GREY COLOR (RAL 7001)



Properties

Dome Nut	Polyamide PA6-V2
Gland Body	Polyamide PA6-V2
Flat / O Ring	Nitrile Rubber NBR
Sealing Ring	Nitrile Rubber NBR
Temperature Range	-20°C to +100°C

Technical Data

Connecting Thread	Metric as per EN 60423
	Pg as per DIN 40430
Protection Grade	IP 68
Test Standard	IEC / EN 50262
UL File No.	
Approvals	



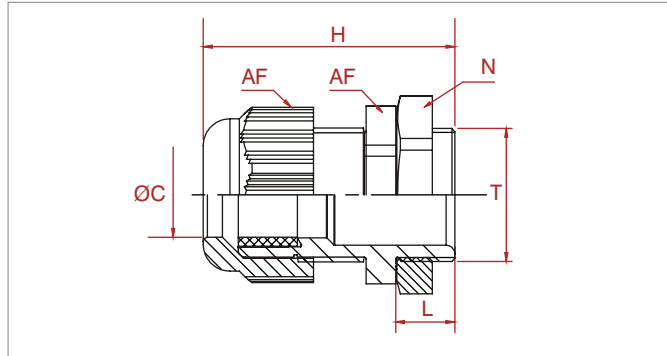
POLYAMIDE

Cable Glands - Metric Thread						Hexagonal Dimensions	
Article No.	External Thread	Clamping Range	Entry Thread Length	Height	Packet Size	Across Flats	Locknut
	T	ØC (mm)	L (mm)	H (mm)	(Pcs.)	AF (mm)	N (mm)
01 17 11033	M 12	3 - 6	8	31	100	15	17
01 17 11034	M 16	5 - 10	8	35	100	20	22
01 17 11035	M 20	8 - 13	8	37	100	24	27
01 17 11036	M 25	11 - 17	10	44	50	29	32
01 17 11037	M 32	15 - 21	15	55	25	36	41
01 17 11038	M 40	19 - 28	15	58	20	46	50
01 17 11039	M 50	27 - 35	18	67	10	55	60
01 17 11040	M 63	32 - 42	18	71	5	68	75

Cable Glands - Pg Thread						Hexagonal Dimensions	
Article No.	External Thread	Clamping Range	Entry Thread Length	Height	Packet Size	Across Flats	Locknut
	T	ØC (mm)	L (mm)	H (mm)	(Pcs.)	AF (mm)	N (mm)
01 17 11057	Pg 7	3 - 6.5	8	31	100	15	19
01 17 11058	Pg 9	4 - 8	8	34	100	19	22
01 17 11059	Pg 11	5 - 10	8	37	100	22	24
01 17 11060	Pg 13.5	6 - 12	9	39	100	24	27
01 17 11061	Pg 16	10 - 14	10	42	50	27	30
01 17 11062	Pg 21	13 - 18	15	50	50	33	36
01 17 11063	Pg 29	18 - 25	15	56	25	42	46
01 17 11064	Pg 36	22 - 32	15	65	10	53	60
01 17 11065	Pg 42	30 - 38	18	70	5	60	65
01 17 11066	Pg 48	34 - 44	18	71	5	65	70

CABLE GLANDS - POLYAMIDE

CABLE GLANDS - LIGHT GREY COLOR (RAL 7035)



Properties

Dome Nut	Polyamide PA6-V2
Gland Body	Polyamide PA6-V2
Flat / O Ring	Nitrile Rubber NBR
Sealing Ring	Nitrile Rubber NBR
Temperature Range	-20°C to +100°C

Technical Data

Connecting Thread	Metric as per EN 60423
	Pg as per DIN 40430
Protection Grade	IP 68
Test Standard	IEC / EN 50262
UL File No.	
Approvals	

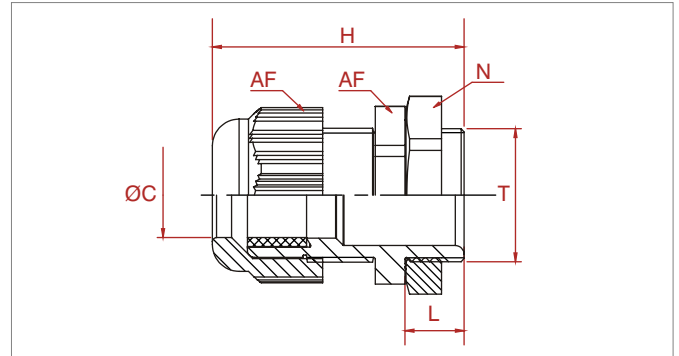


Cable Glands - Metric Thread						Hexagonal Dimensions	
Article No.	External Thread	Clamping Range	Entry Thread Length	Height	Packet Size	Across Flats	Locknut
	T	ØC (mm)	L (mm)	H (mm)	(Pcs.)	AF (mm)	N (mm)
01 17 11041	M 12	3 - 6	8	31	100	15	17
01 17 11042	M 16	5 - 10	8	35	100	20	22
01 17 11043	M 20	8 - 13	8	37	100	24	27
01 17 11044	M 25	11 - 17	10	44	50	29	32
01 17 11045	M 32	15 - 21	15	55	25	36	41
01 17 11046	M 40	19 - 28	15	58	20	46	50
01 17 11047	M 50	27 - 35	18	67	10	55	60
01 17 11048	M 63	32 - 42	18	71	5	68	75

Cable Glands - Pg Thread						Hexagonal Dimensions	
Article No.	External Thread	Clamping Range	Entry Thread Length	Height	Packet Size	Across Flats	Locknut
	T	ØC (mm)	L (mm)	H (mm)	(Pcs.)	AF (mm)	N (mm)
01 17 11067	Pg 7	3 - 6.5	8	31	100	15	19
01 17 11068	Pg 9	4 - 8	8	34	100	19	22
01 17 11069	Pg 11	5 - 10	8	37	100	22	24
01 17 11070	Pg 13.5	6 - 12	9	39	100	24	27
01 17 11071	Pg 16	10 - 14	10	42	50	27	30
01 17 11072	Pg 21	13 - 18	15	50	50	33	36
01 17 11073	Pg 29	18 - 25	15	56	25	42	46
01 17 11074	Pg 36	22 - 32	15	65	10	53	60
01 17 11075	Pg 42	30 - 38	18	70	5	60	65
01 17 11076	Pg 48	34 - 44	18	71	5	65	70

CABLE GLANDS - BLACK COLOR (RAL 9005)

Available with Lock Nuts



Properties

Dome Nut	Polyamide PA6-V2
Gland Body	Polyamide PA6-V2
Flat / O Ring	Nitrile Rubber NBR
Sealing Ring	Nitrile Rubber NBR
Temperature Range	-20°C to +100°C

Technical Data

Connecting Thread	Metric as per EN 60423
	Pg as per DIN 40430
Protection Grade	IP 68
Test Standard	IEC / EN 50262
UL File No.	
Approvals	



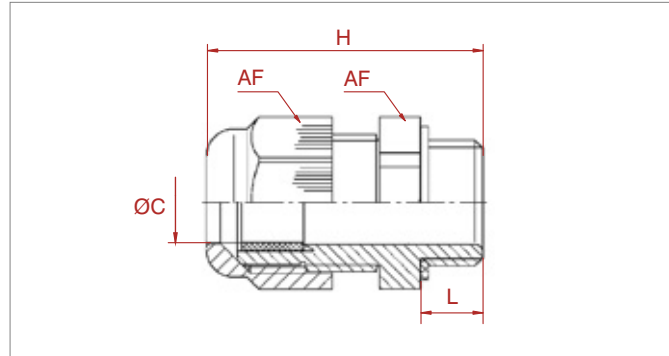
POLYAMIDE

Cable Glands - Metric Thread						Hexagonal Dimensions	
Article No.	External Thread	Clamping Range	Entry Thread Length	Height	Packet Size	Across Flats	Locknut
	T	ØC (mm)	L (mm)	H (mm)	(Pcs.)	AF (mm)	N (mm)
01 17 11049	M 12	3 - 6	8	31	100	15	17
01 17 11050	M 16	5 - 10	8	35	100	20	22
01 17 11051	M 20	8 - 13	8	37	100	24	27
01 17 11052	M 25	11 - 17	10	44	50	29	32
01 17 11053	M 32	15 - 21	15	55	25	36	41
01 17 11054	M 40	19 - 28	15	58	20	46	50
01 17 11055	M 50	27 - 35	18	67	10	55	60
01 17 11056	M 63	32 - 42	18	71	5	68	75

Cable Glands - Pg Thread						Hexagonal Dimensions	
Article No.	External Thread	Clamping Range	Entry Thread Length	Height	Packet Size	Across Flats	Locknut
	T	ØC (mm)	L (mm)	H (mm)	(Pcs.)	AF (mm)	N (mm)
01 17 11077	Pg 7	3 - 6.5	8	31	100	15	19
01 17 11078	Pg 9	4 - 8	8	34	100	19	22
01 17 11079	Pg 11	5 - 10	8	37	100	22	24
01 17 11080	Pg 13.5	6 - 12	9	39	100	24	27
01 17 11081	Pg 16	10 - 14	10	42	50	27	30
01 17 11082	Pg 21	13 - 18	15	50	50	33	36
01 17 11083	Pg 29	18 - 25	15	56	25	42	46
01 17 11084	Pg 36	22 - 32	15	65	10	53	60
01 17 11085	Pg 42	30 - 38	18	70	5	60	65
01 17 11086	Pg 48	34 - 44	18	71	5	65	70

CABLE GLANDS - POLYAMIDE

CABLE GLANDS - COMBINATION TYPE



Properties

Dome Nut	Polyamide PA6-V2
Gland Body	Polyamide PA6-V2
Flat / O Ring	Nitrile Rubber NBR
Sealing Ring	Nitrile Rubber NBR
Temperature Range	-20°C to +100°C

Technical Data

Connecting Thread	Metric as per EN 60423
Protection Grade	IP 68
Test Standard	IEC / EN 50262
UL File No.	

Approvals

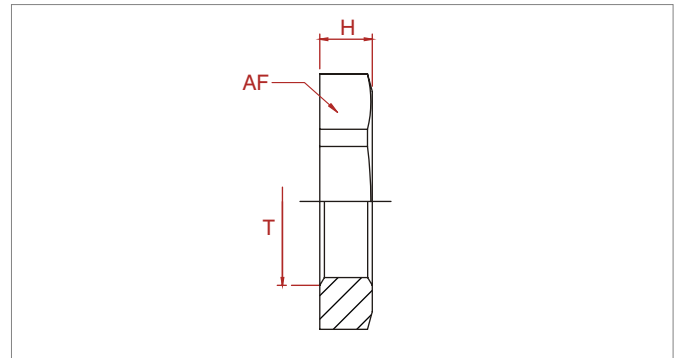


POLYAMIDE

Cable Glands - Combination Type						Hexagonal Dimensions
Article No.	External Thread / Entry Thread	Clamping Range	Entry Thread Length	Height	Packet Size	Across Flats
	Silver Grey Color					ØC (mm)
01 09 00495	Pg 11 / M 16 PA 7001	5 - 10	15	44	100	22
01 09 00496	Pg 13 / M 20 PA 7001	6 - 12	11	41.5	100	24
01 09 00492	Pg 16 / M 20 PA 7001	10 - 14	15	47.5	50	27
01 09 00497	Pg 21 / M 25 PA 7001	13 - 18	15	52	50	33
01 09 00458	Pg 29 / M 32 PA 7001	18 - 25	15	57	25	42
01 09 00460	Pg 42 / M 50 PA 7001	30 - 38	18	73.5	5	60
Article No.	External Thread / Entry Thread	Clamping Range	Entry Thread Length	Height	Packet Size	Across Flats
	Light Grey Color					ØC (mm)
01 09 01203	Pg 11 / M 16 PA 7035	5 - 10	15	44	100	22
01 09 01204	Pg 13 / M 20 PA 7035	6 - 12	11	41.5	100	24
01 09 01205	Pg 16 / M 20 PA 7035	10 - 14	15	47.5	50	27
01 09 01206	Pg 21 / M 25 PA 7035	13 - 18	15	52	50	33
01 09 01207	Pg 29 / M 32 PA 7035	18 - 25	15	57	25	42
01 09 01208	Pg 42 / M 50 PA 7035	30 - 38	18	73.5	5	60
Article No.	External Thread / Entry Thread	Clamping Range	Entry Thread Length	Height	Packet Size	Across Flats
	Black Color					ØC (mm)
01 09 00542	Pg 11 / M 16 PA 9005	5 - 10	15	44	100	22
01 09 00450	Pg 13 / M 20 PA 9005	6 - 12	11	41.5	100	24
01 09 00485	Pg 16 / M 20 PA 9005	10 - 14	15	47.5	50	27
01 09 00541	Pg 21 / M 25 PA 9005	13 - 18	15	52	50	33
01 09 00486	Pg 29 / M 32 PA 9005	18 - 25	15	57	25	42
01 09 00487	Pg 42 / M 50 PA 9005	30 - 38	18	73.5	5	60

HEXAGONAL LOCKNUTS

HEXAGONAL LOCKNUTS - NORMAL (METRIC & Pg)



Properties

Dome Nut	Polyamide PA6-V2
Temperature Range	-20°C / +100°C
Thread	Metric and Pg
Color	RAL 7001, RAL 7035, RAL 9005

POLYAMIDE

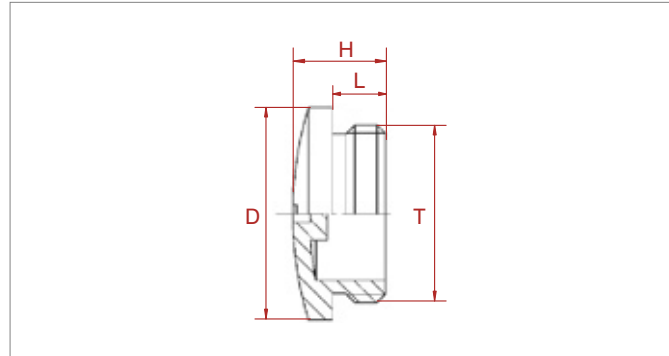
Hexagonal Locknut - Metric Thread

Article No.	Entry Thread / Color	Article No.	Entry Thread / Color	Article No.	Entry Thread / Color	Packet Size
						(Pcs.)
01 17 04373	M 12 PA 7001	01 17 04391	M 12 PA 7035	01 17 04359	M 12 PA 9005	100
01 17 04374	M 16 PA 7001	01 17 04392	M 16 PA 7035	01 17 04017	M 16 PA 9005	100
01 17 04375	M 20 PA 7001	01 17 04393	M 20 PA 7035	01 17 04018	M 20 PA 9005	100
01 17 04376	M 25 PA 7001	01 17 04394	M 25 PA 7035	01 17 04021	M 25 PA 9005	100
01 17 04377	M 32 PA 7001	01 17 04395	M 32 PA 7035	01 17 04022	M 32 PA 9005	100
01 17 04378	M 40 PA 7001	01 17 04396	M 40 PA 7035	01 17 04360	M 40 PA 9005	50
01 17 04379	M 50 PA 7001	01 17 04397	M 50 PA 7035	01 17 04361	M 50 PA 9005	50
01 17 04380	M 63 PA 7001	01 17 04398	M 63 PA 7035	01 17 04362	M 63 PA 9005	50

Hexagonal Locknut - Pg Thread

Article No.	Entry Thread / Color	Article No.	Entry Thread / Color	Article No.	Entry Thread / Color	Packet Size
						(Pcs.)
01 17 04363	Pg 7 PA 7001	01 17 04381	Pg 7 PA 7035	01 17 04353	Pg 7 PA 9005	100
01 17 04364	Pg 9 PA 7001	01 17 04382	Pg 9 PA 7035	01 17 04015	Pg 9 PA 9005	100
01 17 04365	Pg 11 PA 7001	01 17 04383	Pg 11 PA 7035	01 17 04016	Pg 11 PA 9005	100
01 17 04366	Pg 13.5 PA 7001	01 17 04384	Pg 13.5 PA 7035	01 17 04019	Pg 13.5 PA 9005	100
01 17 04367	Pg 16 PA 7001	01 17 04385	Pg 16 PA 7035	01 17 04020	Pg 16 PA 9005	100
01 17 04368	Pg 21 PA 7001	01 17 04386	Pg 21 PA 7035	01 17 04354	Pg 21 PA 9005	100
01 17 04369	Pg 29 PA 7001	01 17 04387	Pg 29 PA 7035	01 17 04355	Pg 29 PA 9005	100
01 17 04370	Pg 36 PA 7001	01 17 04388	Pg 36 PA 7035	01 17 04356	Pg 36 PA 9005	50
01 17 04371	Pg 42 PA 7001	01 17 04389	Pg 42 PA 7035	01 17 04357	Pg 42 PA 9005	50
01 17 04372	Pg 48 PA 7001	01 17 04390	Pg 48 PA 7035	01 17 04358	Pg 48 PA 9005	50

SCREW PLUG



Properties

Material	Polyamide PA6 GF 30
Temperature Range	-30°C / +80°C
Protection Grade	IP 54
Color	RAL 7001, RAL 7035, RAL 9005

Technical Data

For secure sealing of unused threaded or clearance holes.

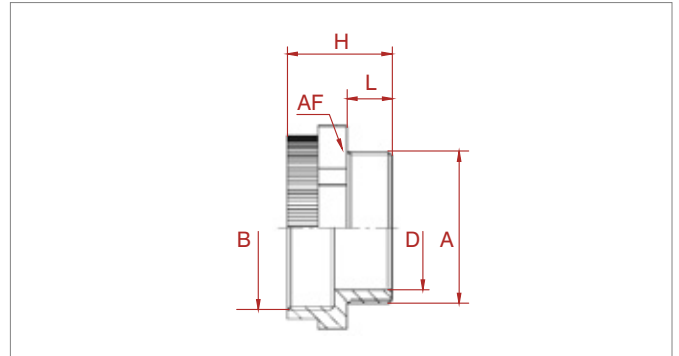
Screw Plug - Metric Thread

Article No.	External Thread Silver Grey Color	Article No.	External Thread Light Grey Color	Thread Length L (mm)	Height H (mm)	Diameter D (mm)	Packet Size (Pcs.)
	T		T				
01 09 01011	M 12 PA 7001	01 09 00271	M 12 PA 7035	6	10	15	100
01 09 01012	M 16 PA 7001	01 09 00272	M 16 PA 7035	6	10.5	20	100
01 09 00269	M 20 PA 7001	01 09 00273	M 20 PA 7035	6	10.5	24	100
01 09 00270	M 25 PA 7001	01 09 00274	M 25 PA 7035	8	13	30	100
01 09 01013	M 32 PA 7001	01 09 00275	M 32 PA 7035	8	13.5	37	50
01 09 00264	M 40 PA 7001	01 09 00043	M 40 PA 7035	8	14	46	50
01 09 00265	M 50 PA 7001	01 09 00044	M 50 PA 7035	10	16.5	56	25
01 09 00143	M 63 PA 7001	01 09 00279	M 63 PA 7035	12	17	70	25

Screw Plug - Pg Thread

Article No.	External Thread Silver Grey Color	Article No.	External Thread Light Grey Color	Thread Length L (mm)	Height H (mm)	Diameter D (mm)	Packet Size (Pcs.)
	T		T				
01 09 01037	Pg 7 PA 7001	01 09 00112	Pg 7 PA 7035	6	10	15	100
01 09 01131	Pg 9 PA 7001	01 09 00630	Pg 9 PA 7035	6	10	19	100
01 09 01310	Pg 11 PA 7001	01 09 01001	Pg 11 PA 7035	6	10	22	100
01 09 01132	Pg 13 PA 7001	01 09 01003	Pg 13 PA 7035	6	10	25	100
01 09 01133	Pg 16 PA 7001	01 09 01002	Pg 16 PA 7035	6	10	27	100
01 09 01145	Pg 21 PA 7001	01 09 00276	Pg 21 PA 7035	8	12.5	33	100
01 17 04305	Pg 29 PA 7001	01 09 00277	Pg 29 PA 7035	8	13	44.5	50
01 17 04306	Pg 36 PA 7001	01 09 00278	Pg 36 PA 7035	10	15	55.5	50
01 09 01365	Pg 42 PA 7001	01 09 00042	Pg 42 PA 7035	10	15.5	62.5	25
01 09 01366	Pg 48 PA 7001	01 09 00280	Pg 48 PA 7035	12	17	69.5	25

ENLARGER



Properties

Material	Polyamide PA6
Temperature Range	-20°C / +100°C
Color	RAL 7001, RAL 7035, RAL 9005

Technical Data

Enlarger of threaded or clearance holes to larger threaded sizes.

POLYAMIDE

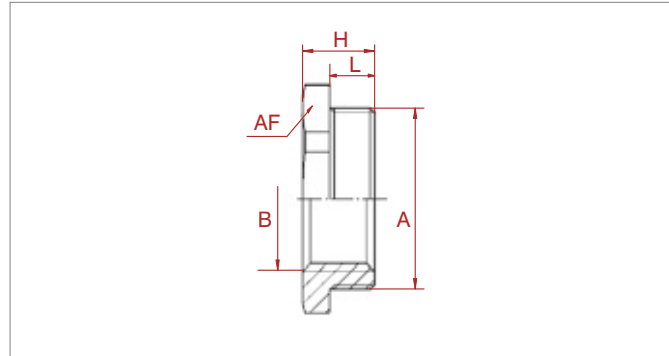
Enlarger - Metric Thread

Article No.	Entry Thread	External Thread	Thread Length	Height	Diameter	Packet Size	Across Flat
	(A)	(B)	L (mm)	H (mm)	D (mm)	(Pcs.)	AF (mm)
01 09 00287	M 12	M 16	8	20.5	7	100	20
01 09 00288	M 16	M 20	8	20.5	11	100	24
01 09 00119	M 20	M 25	8	21	15	100	30
01 09 00289	M 25	M 32	8	23	19	100	37
01 09 00290	M 32	M 40	10	25	26	50	45

Enlarger - Pg Thread

Article No.	Entry Thread	External Thread	Thread Length	Height	Diameter	Packet Size	Across Flat
	(A)	(B)	L (mm)	H (mm)	D (mm)	(Pcs.)	AF (mm)
01 09 01363	Pg 7	Pg 9	8	21	8.5	100	19
01 09 01172	Pg 9	Pg 11	8	23	10	100	22
01 09 01125	Pg 11	Pg 13.5	8	23	13.5	100	24
01 09 01147	Pg 11	Pg 16	8	24.5	12.5	100	27
01 09 00370	Pg 13.5	Pg 16	9	26	15	100	27
01 09 01218	Pg 16	Pg 21	9	29	16	100	32
01 09 01347	Pg 21	Pg 29	10	32	22.5	50	42
01 09 01348	Pg 29	Pg 36	11	35.5	30.5	50	53
01 09 01349	Pg 36	Pg 42	13	40.5	39.5	25	60
01 09 00374	Pg 42	Pg 48	13	41	45.5	25	65

REDUCER



Properties

Material	Polyamide PA6
Temperature Range	-30°C / +80°C
Color	RAL 7001, RAL 7035, RAL 9005

Technical Data

Reduction of threaded or clearance holes to smaller thread sizes.

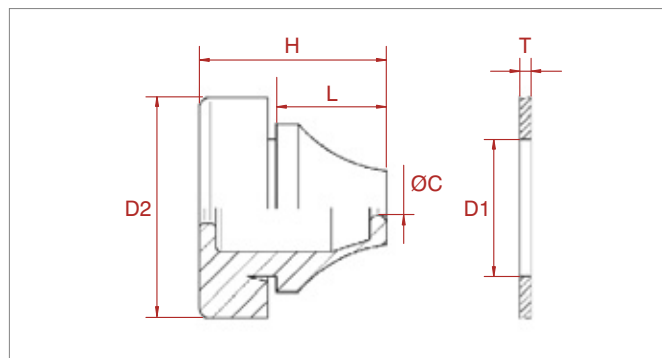
Reducer - Metric Thread

Article No.	Entry Thread	External Thread	Thread Length	Height	Packet Size	Across Flat
	(A)	(B)	L (mm)	H (mm)	(Pcs.)	AF (mm)
01 09 01364	M 16	M 12	8	12	100	24
01 09 01312	M 20	M 12	8	12	100	24
01 09 01090	M 20	M 16	8	12	100	24
01 09 01139	M 25	M 16	8	14	100	29
01 09 00311	M 25	M 20	8	14	100	29
01 09 01094	M 32	M 20	10	16	100	36
01 09 01287	M 32	M 25	10	16	100	36
01 09 01096	M 40	M 25	10	16	50	46
01 09 01328	M 40	M 32	10	16	50	55
01 09 01330	M 50	M 40	12	18	25	55

Reducer - Pg Thread

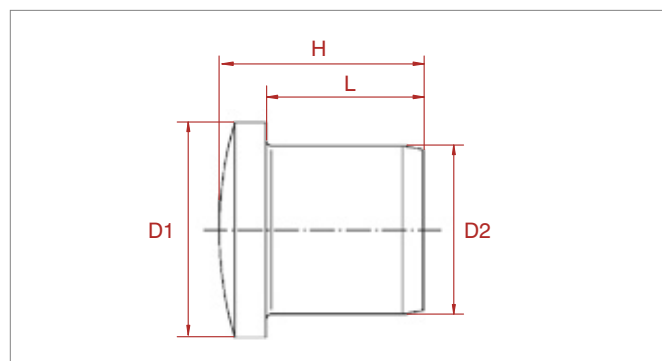
Article No.	Entry Thread	External Thread	Thread Length	Height	Packet Size	Across Flat
	(A)	(B)	L (mm)	H (mm)	(Pcs.)	AF (mm)
01 09 01035	Pg 9	Pg 7	8	20.5	100	19
01 09 01224	Pg 11	Pg 7	8	14	100	22
01 09 01036	Pg 11	Pg 9	8	22.5	100	22
01 09 00323	Pg 13.5	Pg 9	9	15	100	24
01 09 01304	Pg 13.5	Pg 11	9	24	100	24
01 09 00325	Pg 16	Pg 9	10	16	100	27
01 09 00326	Pg 16	Pg 11	10	16	100	27
01 09 00327	Pg 16	Pg 13.5	10	27	100	27
01 09 01128	Pg 21	Pg 11	11	16	100	32
01 09 00328	Pg 21	Pg 13.5	11	16	100	32
01 09 00329	Pg 21	Pg 16	11	16	100	32
01 09 00137	Pg 29	Pg 16	11	17	50	40
01 09 01319	Pg 29	Pg 21	11	17	50	40
01 09 01350	Pg 36	Pg 21	13	19	50	50
01 09 00332	Pg 36	Pg 29	18	24	50	50
01 09 01351	Pg 42	Pg 36	18	24	25	55
01 09 01352	Pg 48	Pg 36	14	20	25	60

SEALING GROMMET



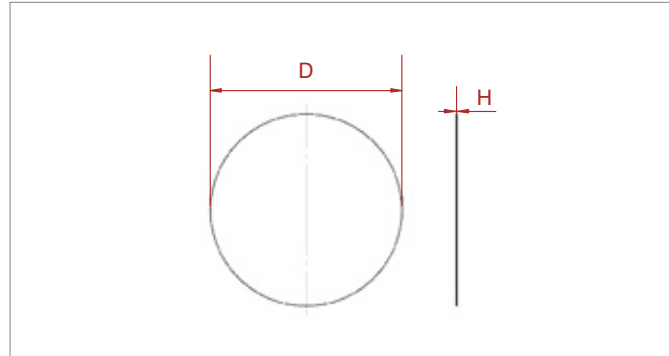
Sealing Grommet									
Grey		Black		Diameter		Wall Thickness	Clamping Range	Length	Height
Article No.	Size	Article No.	Size	D1 (mm)	D2 (mm)	T (mm)	ØC (mm)	L (mm)	H (mm)
01 09 01353	M 16	01 09 01358	M 16	16.5	21	1 - 4	5 - 9	11	17.7
01 09 01354	M 20	01 09 01362	M 20	20.5	25.5	1 - 4	8 - 12	13.4	20
01 09 01355	M 25	01 09 01359	M 25	25.5	30.5	1 - 4	11 - 16	15.3	21.3
01 09 01356	M 32	01 09 01360	M 32	32.5	38.5	1 - 4	15 - 20	16.6	24.6
01 09 01357	M 40	01 09 01361	M 40	40.5	48.5	1 - 4	19 - 28	21.7	29.5

BLANKING PLUG



Blanking Plug					
Article No.	Size	Diameter	Diameter	Length	Height
		D1 (mm)	D2 (mm)	L (mm)	H (mm)
01 09 01153	M 12	10	5.5	9	12.5
01 09 01150	M 16	13.5	9.5	12	16
01 09 01151	M 20	16.5	12	12	16.5
01 09 01152	M 25	20.5	16	15	19.5
01 09 01154	M 32	24.5	20	17	21.5
01 09 00662	M 40	32	27	20	24
01 09 01156	M 50	39	35	25	29
01 09 01157	M 63	52	42	25	29

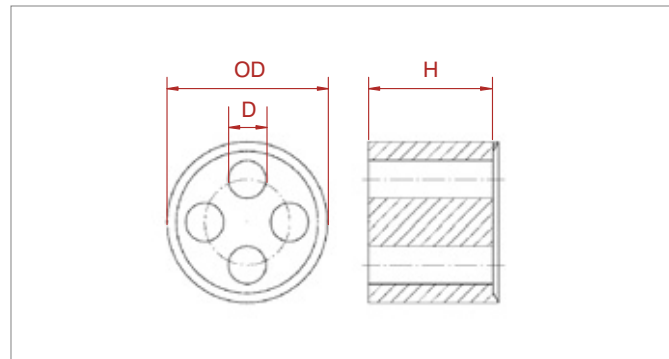
DUST CAP



Dust Cap

Article No.	Size	Height	Diameter
		H (mm)	D (mm)
01 09 00463	M 12	0.25	12.5
01 09 00464	M 16	0.25	16
01 09 00462	M 20	0.25	16.5
01 09 00465	M 25	0.25	19.5
01 09 00466	M 32	0.5	21.5
01 09 00461	M 40	0.5	24
01 09 00654	M 50	0.5	29

MULTIPLE INSERTS



Multiple Inserts

Article No.	Size	No. of Holes x Hole Size	Height	Outside Diameter
		N x D (mm)	H (mm)	OD (mm)
01 09 01323	M 20	4 x 5	7.5	15.1
01 09 01344	M 25	4 x 6	9.3	19.8
01 09 01320	M 32	3 x 8	12.5	25.1
01 09 01339	M 32	4 x 7	12.5	25.1
01 09 01279	M 32	4 x 8	12.5	25.1
01 09 01343	M 40	5 x 8.5	15	32.3
01 09 01302	Pg 13.5	2 x 5	8.5	15.3
01 09 00832	Pg 13.5	2 x 6	8.5	15.3
01 09 00833	Pg 16	2 x 6	9	17.4
01 09 00834	Pg 21	2 x 9	11	22.2
01 09 00835	Pg 21	3 x 7	11	22.2
01 09 01334	Pg 29	8 x 5	13	29.8

OTHER PRODUCT PROGRAMS



Trinity Touch Pvt. Ltd.

www.trinitytouch.com

INDIA

D-10, Defence Colony, New Delhi 110024 INDIA

Tel: +91.11.30895900 / +91.11.71200900 Fax: +91.11.30895998 / +91.11.71200998

E-mail: postmaster@trinitytouch.com

Works & Warehouse

Prithla- Dudhola road, Dudhola Distt. Palwal 121102, Haryana INDIA

Tel: +91.1275.398500 E-mail: sales@trinitytouch.com

Trinity Touch (EUROPE) Ltd.

www.trinitytouch.co.uk

UK

Unit-L, Tyson Courtyard, Weldon South Industrial Estate, Corby, Northants,
N N18 8AZ, UK

Tel: +44 (0) 1536 400 641 Fax: +44 (0) 1536 268 043

E-mail: gbsales@trinitytouch.com

Distributed By :

